

ANDREW YULE & CO. LTD.
(A Government of India Enterprise)
NEW DOOARS TEA ESTATE
P.O. Banarhat, Dist Jalpaiguri, West Bengal – 735 202

NOTICE INVITING TENDERS

Manager, New Dooars Tea Estate on behalf of ANDREW YULE & CO. LTD invites e-Tender under two part system (**Part I: Techno-Commercial Bid and Part II: Price Bid**) from bona fide and reputed **Company/Firm** for **construction of Double Unit Labour Quarter with lavatory and house wiring complete in all respect**, the details of which are available in Annexure-IV “**Scope of Work / Technical Specification**” as specified in this tender document.

Tender document may be downloaded from MSTC website www.mstcecommerce.com/eprochome/aycl or www.andrewyule.com. Corrigenda or clarifications, if any, shall be hosted on the above mentioned websites only. AYCL reserves the right to accept or reject any tender.

Schedule of Tender

1.	TENDER NO.	ND/CAPITAL/17-18/1 Dated. : 05/09/2017
2.	MODE OF TENDER	e-Procurement System Online submission of Part I - Techno-Commercial Bid and Part II - Price Bid through www.mstcecommerce.com/eprochome/aycl The intending bidders are required to submit their offer electronically through this e-tendering portal. No physical tender is acceptable by AYCL/MSTC
3.	E-Tender No. / Event No.	AYCL/TEA DIVISION/19/17-18/117
4.	Date of publication of e-Tender through publication MSTC/AYCL websites and Central Public Procurement Portal	05/09/2017
5.	Date of availability of NIT to the Vendors for downloading	05/09/2017
6.	Earnest Money and other document	<input type="checkbox"/> “ Earnest Money Deposit ” of Rs.20000 (Rupees twenty thousand only) may be paid by D.D. favouring Andrew Yule &Co Ltd. A/c New Dooars Tea Estate payable at Banarhat/Siliguri. <input type="checkbox"/> Other document as described in Annexure – I, Sl. No. 2

7.	Last date of submission of EMD & other documents to Manager, New Dooars Tea Estate with an email confirmation to Chief General Manager, Tea Division at kaustuv.roy@andrewyule.com	25/09/2017
8.	Date of Starting of e-Tender for submission of Online Techno-Commercial Bid and Price Bid At www.mstcecommerce.com/eprochome/aycl	To be intimated to the eligible vendor separately by email as well as through Corrigendum in the website.
9.	Date of closing of Online e-tender for submission of Techno-Commercial Bid & Price Bid at www.mstcecommerce.com/eprochome/aycl	To be intimated to the eligible vendor separately by email as well as through Corrigendum in the website.
10.	Date & time of opening of Part-I (Techno-Commercial Bid)	To be intimated to the eligible vendor separately by email as well as through Corrigendum in the website.
11.	Date & time of opening of Part-II (Price Bid)	To be intimated to the eligible vendor separately by email as well as through Corrigendum in the website.

List of Annexure

Important Instructions for E-procurement -	Annexure-I
Notice Inviting Tender	Annexure-II
General Information-	Annexure-III
Scope of Work / Technical Specification/ General Terms& Conditions /Drawings	Annexure-IV

**NEW DOOARS TEA ESTATE
(A Government of India Enterprise)**

Important Instructions for E-procurement

Ref. E-Tender No.: AYCL/TEA DIVISION/19/17-18/117

Ref. Tender No.: ND/CAPITAL/17-18/1

This is an e-procurement event of New Dooars Tea Estate, Banarhat, West Bengal of ANDREW YULE & COMPANY LTD.

You are requested to read the Terms & Conditions (Annexure- III, IV) of this tender before submitting your online tender. Tenderers who do not comply with the Conditions with documentary proof (wherever required) will not qualify in the Tender for opening of Price Bid.

1. Process of E-tender:

A) **Registration:** The process involves vendor's registration with MSTC e-procurement portal which is free of cost. Only after registration, the vendor(s) can submit his/their bids electronically. Electronic Bidding for submission of Techno-Commercial Bid as well as Price Bid over the internet will be done. The Vendor should possess Class III signing type Digital Signature Certificate. Vendors are to make their own arrangement for bidding from a PC connected with Internet. MSTC is not responsible for making such arrangement. (Bids will not be recorded without Digital Signature).

SPECIAL NOTE: THE PRICE BID AND THE COMMERCIAL BID HAS TO BE SUBMITTED ON-LINE AT www.mstcecommerce.com/eprochome/aycl

- 1) Vendors are required to register themselves online with www.mstcecommerce.com → e-Procurement → PSU / Govt. depts. → Register as Vendor under AYCL- Filling up details and creating own user id and password → Submit.
- 2) Vendors will receive a system generated mail confirming their registration in their email which has been provided during filling the registration form.

In case of any clarification, please contact MSTC/AYCL (before the scheduled time of the e-Tender).

Contact person for Techno Commercial clarification (ANDREW YULE & COMPANY LTD):

1. Mr. L.J. Smith
Manager,
New Dooars Tea Estate, Banarhat.
Tel. No: 03563-258385.
Email: yule.newdooars@gmail.com

Contact person (E-Commerce, MSTC Ltd):

1. Mr. Arindam Bhattacharjee

Deputy. Manager (E-commerce)

MobileNo: 09330102643

Email: arindam@mstcindia.co.in

2) Mr. Sabyasachi Mukherjee

Assistant Manager (E-commerce)

Mobile- 07278030407

Email:smukherjee@mstcindia.co.in

3. Ms Sumona Maity

Management Trainee (E-Commerce)

Mobile-09831155225

Email: smaity@mstcindia.co.in

Landline: (033) 22901004

System Requirement:

- i) Windows XP-SP3 or above / Windows 7 Operating System
- ii) IE-7 or above Internet browser.
- iii) Signing & Encryption type digital signature
- iv) JRE 7 update 79 software to be downloaded and installed in the system. Security level should be medium
- v) To enable ALL active X controls and disable 'use pop up blocker' under Tools → Internet OpJons → custom level (Please run IE settings from the page www.mstcecommerce.com once)

2. **Part-I: Submission** of EMD & other Documents:

Within specified Date & time the vendor must submit the following documents to Manager, New Dooars Tea Estate, P.O. Banarhat, Dist – Jalpaiguri, West Bengal 735 202. Off-line.

- Earnest Money of Rs. 20000 (Rupees twenty thousand only) by Demand Draft favouring Andrew Yule & Co. Ltd. A/C New Dooars Tea Estate, Payable at Banarhat/Siliguri.
- General information, under Annexure-III complete in all respect along with desired information and document.
- Acceptance of Scope of Work/Technical Specification, under Annexure-IV along with relevant information and documents without Price Sheet.
- Technical specification sheet, with all desired details, duly signed and stamped as token of acceptance.
- Intending Bidders may visit the site before submission of the Off-line documents at their own cost.

In case of failure to submit the EMD and other document within the stipulated time, the Tender may be rejected.

Part-II: Online Bid submission: On the basis of submission of EMD and other Documents at New Dooars Tea Estate, Banarhat, West Bengal the list of vendors who will participate in online Techno commercial and price bid submission will be finalized. Only those qualified bidders will be eligible to submit Online Techno-commercial and price bid.

Bidding in e-Tender:

- a. No interest will be paid on EMD. EMD of the unsuccessful bidder(s) will be refunded by New Dooars Tea Estate. EMD to be paid along with the Document with in the last date as mentioned in SOT.
- b. The process involves Electronic Bidding for submission of Techno Commercial Bid as well as Price Bid.
- c. The bidder(s) who have submitted the EMD and documents to New Dooars Tea Estate will be short listed by Manager, New Dooars Tea Estate and those qualified bidders can only submit their Techno Commercial Bids and Price Bid through internet in MSTC website www.mstcecommerce.com → e-procurement → Psu / Govt depts. → Login under AYCL→ My Menu → Auction Floor Manager → live event → Selection of the live event.
- d. The bidder should allow to run an application namely enApple by accepting the risk and clicking on run. This exercise has to be done twice immediately after opening of Bid floor. Then they have to fill up Common terms /Commercial specification and save the same. After that clicking on the Techno-Commercial bid, if this application is not run then the bidder will not be able to save / submit his Techno-Commercial bid.
- e. After filling the Techno-Commercial Bid, bidder should click 'save' for recording their Techno-Commercial bid. Once the same is done, the Price Bid link becomes active and the same has to filled up and then bidder should click on "**Save**" to record their Price Bid. Then once both the Techno-Commercial bid & Price Bid has been saved, the bidder can click on the "**Submit**" button to register their bid.
- f. Vendors are instructed to use link in **My Menu** to **Upload Documents** in document library. Multiple documents can be uploaded. Maximum size of single document for upload is 5 MB.
- g. Once documents are uploaded in the library, vendors can attach documents through *Attach Document* link against the particular tender. For further assistance please follow instructions of vendor guide.
- h. In all cases, bidder should use their own ID and Password along with Digital Signature at the time of submission of their bid.
- g. During the entire e-tender process, the bidders will remain completely anonymous to one another and also to everybody else.

- h. The e-tender floor shall remain open from the pre-announced date & time and for as much duration as mentioned above.
- i. Techno-Commercial bid will be opened electronically on specified date and time as given in the NIT. Bidder(s) can download Technical Comparative statement.
- j. Price bid will be opened electronically on specified date and time given in the NIT. Bidder(s) can download Price Comparative statement.
- k. All entries in the tender should be entered in online Technical & Commercial Formats without any ambiguity.
- l. All electronic bids submitted during the e-tender process shall be legally binding on the bidder. Any bid will be considered as the valid bid offered by that bidder and acceptance of the same by the Buyer will form a binding contract between Buyer and the Bidder for execution of supply. Such successful tenderer shall be called hereafter **SUPPLIER**.
- m. It is mandatory that all the bids are submitted with Digital Signature Certificate otherwise the same will not be accepted by the system.
- n. Buyer reserves the right to cancel or reject or accept or withdraw or extend the tender in full or part as the case may be without assigning any reason thereof.
- o. No deviation of the terms and conditions of the tender document is acceptable. Submission of bid in the e-tender floor by any bidder confirms his acceptance of terms & conditions for the tender.
- p. Unit of Measure (UOM) is indicated in the e-tender Floor. Rate to be quoted should be in Indian Rupee as per UOM indicated in the e-tender floor/tender document.

E-tender cannot be accessed after the due date and time mentioned in NIT.

All notices / corrigendum and correspondence to the bidder(s) shall be sent by email only during the process till finalization of tender by NEW DOOARS TEA ESTATE/ANDREW YULE & COMPANY LTD/MSTC LTD. Hence the bidders are required to ensure that their corporate email I.D. provided is valid and updated at the stage of registration of vendor with MSTC. Bidders are also requested to ensure validity of their DSC (Digital Signature Certificate).

Any order resulting from this open e-tender shall be governed by the terms and conditions mentioned therein.

No deviation to the technical and commercial terms & conditions are allowed.

ANDREW YULE & COMPANY LTD / New Dooars Tea Estate has the right to cancel this e-Tender without assigning any reason thereof.

The online tender should be submitted strictly as per the terms and conditions and procedures laid down in the website www.mstcecommerce.com/eprochome/aycl of MSTC Ltd.

The bidders must upload all the documents required as per terms of NIT. Any other document uploaded which is not required as per the terms of the NIT shall not be considered.

The bid will be evaluated based on the filled-in technical & commercial formats.

Bidders are requested to read the vendor guide and see the video in the page www.mstcecommerce.com/eprochome/mstc of MSTC Ltd. to familiarize them with the system before bidding.

Notice Inviting Tender:
Ref. E-Tender No.: AYCL/TEA DIVISION/19/17-18/117
Ref. Tender No.: ND/CAPITAL/17-18/1

New Dooars Tea Estate on behalf of Andrew Yule & Co. Ltd., Tea Division, wishes to construct Double Unit Labour Quarter with lavatory & house wiring as appended below.

Banarhat Tea Estate	---	1 Unit
Karbala Tea Estate	---	2 Units
New Dooars Tea Estate	---	2 Units
Choonabhutti Tea Estate	---	1 Unit

Offers are invited from reputed contractors for construction on turnkey basis at specified locations.

Contractors interested to participate in the above Tender will have to :

- b) Get themselves registered (free of cost) as supplier with www.mstcecommerce.com/eprochome/aycl, our service provider.
- c) Submit the following document to New Dooars Tea Estate, Banarhat, West Bengal within 21 days from the date of publication of advertisement, off line -
- General Information Sheet (Annexure III) complete in all respect duly signed and stamped.
 - Earnest money of Rs.20000 by Draft favouring Andrew Yule & Co. Ltd. A/C New Dooars Tea Estate payable at Banarhat/Siliguri.
 - Commercial Terms & Conditions Sheet (Annexure IV), duly signed and stamped as token of acceptance.
 - Technical specification sheet & Drawings (Annexure IV), with all desired details, duly signed and stamped as token of acceptance.

The following pre-qualification criteria would apply, which may be relaxed at the sole discretion of Andrew Yule & Co. Ltd. / New Dooars Tea Estate.

- The Bidder should be having minimum 3 years experience of civil constructions on turnkey basis experience and holding authority to deal with Andrew Yule & Co. Ltd. / New Dooars Tea Estate. This should be supported by appropriate **documentary evidence. Bidders having experience of construction of labour quarter in tea garden for last 3 years will be given preference.**
- The Bidder shall possess valid PAN / GST registration certificates.
- The Bidder should have own local support office presence for the locations namely Banarhat / Siliguri and should be able to provide support as and when required.

General Information**Ref. E-Tender No.: AYCL/TEA DIVISION/19/17-18/117****Ref. Tender No.: ND/CAPITAL/17-18/1**

The applicants are required to furnish full information to the queries included in this form. In giving the particulars, the supporting documents/certificates as called for per queries at places, must be tagged with the application for evidencing the information furnished in the application.

1. Particulars of Company

1.1 Name of the Company :

1.2 Nature of business :

1.3 Full address :

1.4 Phone No. :

1.5 Fax No. :

1.6 E-mail ID :

2. Details of Certificate

SI No.	Particulars	Registration No.	Remarks
1.	Income Tax		Copy of Registration Certificate / PAN Card to be attached
2.	GST		Copy of Registration Certificate to be attached
5.	Trade Licence		Copy to be attached

3. List of Local Office

Sl. No	Location	Type of Local Office		Bidders to Provide full address & Telephone No
		Company Operated	Franchised	
1	Banarhat			
2	Siliguri			

4. Details of Banker

1.	Name of the Bank	
2.	Name of the Branch	
3.	Branch Code	
4.	Address	
5.	IFSC No.	
6.	Account No.	

5. List of Job contract of identical nature made in last 3 years. with customer reference

6. Copies of Purchase Orders : for identical type of Job contract (minimum 2 order copies)

I/we hereby certify that the particulars furnished by me/us above are true to the best of my / our knowledge and belief and mis-representations of facts will render me/us liable to my/our action as may be deemed fit by Andrew Yule & Co. Ltd. (Tea Division) / New Dooars Tea Estate & have the sole discretion to reject or accept my/our candidature.

(Signature of the Applicant)
Office Stamp/Seal.

Place :

Date :

List of Enclosures :

General Terms & Conditions

Ref. E-Tender No.: AYCL/TEA DIVISION/19/17-18/117

Ref. Tender No.: ND/CAPITAL/17-18/1

1. Scope of Work
 - Supply/Constructions as per specification complete in all respect.
2. Location of Site
 - Banarhat Tea Estate, P.O. Banarhat, Dist. Jalpaiguri, West Bengal
 - Karballa Tea Estate, P.O. Banarhat, Dist. Jalpaiguri, West Bengal
 - New Dooars Tea Estate, P.O. Banarhat, Dist. Jalpaiguri, West Bengal
 - Choonabhutti Tea Estate, P.O. Banarhat, Dist. Jalpaiguri, West Bengal
3. Requirement

Banarhat Tea Estate	---	1 Unit
Karballa Tea Estate	---	2 Units
New Dooars Tea Estate	---	2 Units
Choonabhutti Tea Estate	---	1 Unit
4. Job completion date

The work to be completed within 120 days from date of order.
5. Liquidated Damage

In the event of failure on the part of the contractor to complete entire work against the order to our full satisfaction within the specified period of completion, we may recover from the contractor as liquidated damages, a sum equivalent to ½% of contract value for each week or any part thereof default, but limited to a maximum of 5% of contract value. In case of any defect the contractor has to bear the cost of repairs within 1 year from date of handing over of the project.
6. Force Majeure

Any delay or failure in the performance of either party hereto will not constitute default thereunder or give rise to any claim for damages, if any, to the extent such delays or failure of performance is caused by the occurrence such as acts of god or the public enemy, appropriation or confiscation of facilities by Govt. Authorities, acts of war, rebellion or sabotage, fires, explosions, riots and illegal strike.
7. Risk Purchase

In case the contractor fails to execute the contract fully or partly, the purchaser shall have the right to execute the work through other agencies, as decided by the purchaser at the contractor's cost and risk after giving two weeks notice in writing.
8. Terms of payment
 - No advance will be given.
 - Part payment to be released according to the progress of work with 10% retention at each stage described in the scope of work which will be returned after 1 year of completion of the project if no dispute arises regarding quality of the project.
 - Statutory deductions will be made as per rules.
9. Price Variation

The quoted price should remain firm during pendency of the contract.
10. The tenderers are requested to ensure Earnest Money Deposit along with the Tender in the following manner, which will be converted into Security Deposit for the successful bidder/s and will be released on completion of delivery.

EMD Amount Rs.20000.00

EMD to be submitted by D.D.favouring Andrew Yule & Co. Ltd. A/C New Dooars Tea Estate payable at Banarhat/Siliguri.

11. Decision for awarding contract/job is vested with the Management so as to reject.
12. Incomplete "Quotation/Offer" is liable to be rejected.
13. The offer must be valid for a minimum of 6 months from the date of E-Bidding.
14. The Quotations must include packing and delivery charges at the Garden and no collection of stores will be made from your go down.
15. Actual need based Order quantity may vary from the indicated quantity at the sole discretion of Garden Management.
16. Replacement of the defective/substandard material/job has to be made good within 30 days.
17. Management reserves the right of pre-delivery inspection.
18. Management reserves the right to split the order wherever found necessary with majority job to be reserved for L1.
19. All the applicable labour laws relating to deployment of labourers/employees will be strictly followed in executing the contract.
20. All disputes are subject to Jalpaiguri Jurisdiction only.

I have read the tender papers & have understood the detailed process.

I agree to all the terms & conditions mentioned above.

(Signature of the Applicant)
Office Stamp/Seal.

Place :

Date :

For Off line submission

Technical specification and requirement**Ref. E-Tender No.: AYCL/TEA DIVISION/19/17-18/117****Ref. Tender No.: ND/CAPITAL/17-18/1**

Constructions of **Double Unit Labour Quarter with lavatory and house wiring** on Trunkey basis as per Drawing No.YULE/Labour Quarter/01, YULE/Labour Quarter/02 & YULE/Lavatory/01 adhering to appended scope of work.

Schedule of works for proposed Construction of Double unit Labour Quarter

Item No.	PARTICULARS OF WORK	QTY .	UNIT
1)	Earth Work in excavation of foundation trenches or drains in all sorts of soil (including mixed soil but excluding latrite soil or sandstone) including removing, spreading or stacking the spoils with in a lead of 75 m as directed. The item includes necessary trimming the sides of trenches, levelling, dressing, and ramming the bottom, bailing out water as required complete . (a) Depth of excavation not exceeding 1.50 M As per IS Code - 1200 Pt. I-1992	27.00	Cu.M.
2)	Earth work in filling in foundation and trenches or plinth etc. in layers not exceeding 150 mm including watering and ramming etc. complete . (a) With earth obtained from excavation of foundation .	5.40	Cu.M.
	(b) with earth obtained by fresh excavation (including cost of excavation upto 1.80 m depth from land arranged by Deptt.) Within a lead of 100 m. For plinth filling -	21.600	Cu.M.
	(d) With carried earth arranged by the contractor within a radius beyond 5000 m but not exceeding 10 Km including cost of carried earth .	8.400	Cu.M.
3)	Single B.F.S. of picked jhamma bricks including ramming and dressing bed to proper level and filling joints with powdered earth or local sand . As per IS Code - 1077-1992	33.80	Sq.M.
4)	Cement Concrete (1: 3: 6) with 40 mm down graded shingles excluding shuttering. As per IS Code - 456-2000	8.010	Cu. M.
5)	Ordinary Cement Concrete M 15 (mix 4: 2: 1) with 20 mm down graded stone chips / shingles excluding shuttering and reinforcement if any, in ground floor . (a) River Bazree - As per IS Code - 456-2000	1.670	Cu. M.

6)	<p>Hire and labour charges for shuttering with centering and necessary centering and necessary staging upto 4.0 m staging upto 4.0 m using approved stout props & thick hard wood planks of approved thickness with required bracing for concrete slabs, beams, columns, lintels, curved or straight including fitting fixing and striking out after completion of works (upto roof of Ground floor) .</p> <p>(a) 25 to 30 mm thick wooden shuttering as per direction of Eng-In-Charge .</p> <p>As per IS Code - 4990-1993</p>	28.50	Sq.M.
7)	<p>Reinforcement for reinforced concrete work in the all sorts of structures including distribution bars, stirrups, binders etc. including supply of rods, initial streaghtening and removal of loose rust (if necessary), cutting to requisite length, hooking and bending to correct shape, placing in proper position and binding with 16 gauge black annealed wire at every intersection, complete as per drawing and direction .</p> <p>(a) For works in foundation, basement and upto roof of ground floor / upto 4.0 m .</p> <p>(i) Tor Steel / Mild steel .</p> <p>@ 0.80 % of (C.C. work for M15) 1.670 Cu.M =</p> <p>As per IS Code - 432-1982</p>	1.05	Quintel
8)	<p>Brick work with 1 st class bricks in cement mortar (6 : 1) .</p> <p>(a) In foundation & plinth</p> <p>(b) In superstructure, ground floor</p> <p>As per IS Code - 2212-1991</p>	16.800	Cu. M.
9)	<p>125 mm thick brick work with 1st class bricks in cement mortar (4 : 1) in ground floor .</p> <p>As per IS Code - 2250-1981</p>	96.135	Sq.M.
10)	<p>Artificial stone in floor, dado, staircase etc. with cement concrete (4:2:1) with stone chips laid in panel as directed with topping made with ordinary or white cement (if necessary) and marble dust in propertion (2:1) including smooth finishingand rounding off corners and including application of cement slurry before flooring works using cement @ 1.75 Kg / Sq.M all complete including all materials and labour .</p> <p>3 mm thick topping with ordinary cement (High polishing grinding on this item is not permitted) .</p> <p>(a) 20 mm thick -</p> <p>As per IS Code - 2571-1970</p>	32.10	Sq.M.

11)	<p>Supplying, fitting and fixing steel doors with or without integrated grills conforming to I.S. 7452 - 1973 with non friction projecting type hinges, glazing chips, lugs, locking plate, peg stays, 1.25 mm thick M.S. sheet welded kicking plates in double tray construction brass door handle with minimum 4 lever mortice lock openable with key both from inside and outside together with a locking bolt on the inside face including hoisting in position, straightening, if required fixing lugs in cement concrete (1:2:4) with stone chips 20 mm size cutting holes and mending good damages to match with existing surface complete in all respect including glazing .</p> <p>(b) Openable steel Door / windows -</p> <p>As per IS Code - 1038-1983</p>	15.390	Sq.M.
12)	<p>M.S. structural works in roof trusses with Tubular sections conforming to IS: 806 - 1957 & IS :1161-1958 connected to one another with bracket, gusset, cleats as per design, direction of Engineer In Charge complete including cutting to requisite size, fabrication with necessary metal are welding conforming to IS : 816 - 1956 & IS : 9595 using electrodes of approved make and brand conforming to IS : 814 - 1957, haulage, hoisting, and erection all complete . The rate includes the cost of rolled steel section, consumables such as electrodes, gas and hire charges of all tools and plants and labour required for the work including all incidental charges such as electricity charges, labour insurance charges etc</p> <p>(a) For trusses spanning upto 12.0 M</p>	5.000	Quintel
13)	<p>Asbestos corrugated sheet (6 mm thick) work (excluding the supporting frame work) fitted and fixed with 9.50 mm dia. J or L hook-bolt and nuts, limpet and bitumen washers and putty with 150 mm end lap & one corrugation minimum side lap complete .</p> <p>(i) In roof</p> <p>As per IS Code - 3007-(Pt.I)-1999</p>	109.300	Sq.M
14)	<p>Asbestos ridging (with standard lap) fitted and fixed with necessary hook, bolts, nuts, washers etc. complete</p> <p>(a) Close fitting adjustable type -</p> <p>As per IS Code - 1626-1994(Part I-III)</p>	16.000	R.M
15)	<p>Plaster (to wall, floor, ceiling etc.) with sand and cement mortar including rounding off or chamfering corners as directed and racking out joints or roughening of concrete surface including throading, nosing and drip course where necessary in G. floor</p> <p>(a) With (6 : 1) cement mortar (b) 20 mm thick plaster (c) 15 mm thick plaster</p> <p>As per IS Code - 2250-1981</p>	220.00 130.00	Sq. M Sq. M

16)	Neat cement punning about 1.50 mm thick in wall, Dado, window sills, floor, drain etc. Cement to be used 0.152 Cu.M per 100 Sq.M	30.00	Sq. M
17)	Ceiling of asbestos building boards as per design fitted and fixed (excluding the supporting frame work) including necessary sal battens to cover each joint and also across at equal spaces to form panel with supply of necessary screws, nails etc complete . As per IS Code - 2096-1992	59.27	Sq.M.
18)	Wood work in posts, post plates, rafter, battens, truss, members, purlins etc. fitted and fixed complete (Excluding the cost of bolts only, but including the cost of nails, screw etc) . (i) Other Local wood - As per IS Code - 1200 (Pt.XII)-1973	0.40	Cu.M.
19)	Red oxide wash of approved shade including cleaning and smoothening surface thoroughly (withot specific permission from the Engineer in charge this item of work must not be done on an old painted surface which has not received such red oxide wash before) . (b) One coat - As per IS Code - 102-1962	35.00	Sq.M.
20)	Primming one coat on timber, plastered or on steel or other metal surface with synthetic enamel / oil bound primer of approved quality including smoothening surfaces by sand papering etc . (a) One coat - As per IS Code - 104-1979	27.00	Sq.M.
21)	Painting with best quality synthetic enamel paint of approved make and brand including smoothening surface by sand papering etc. including using of approved putty etc. on the surface if necessary (a) On Timber or plaster surface (iv) Two coats (with any shade except white) (b) On steel or metal surface (iv) Two coats (with any shade except white) As per IS Code - 13607 - 1992	27.00 35.00	Sq.M. Sq.M.
22)	White washing including cleaning and smoothening surface thoroughly (5 parts of stone lime and 1 part of shell lime should be used in the finishing coat) . (b) Two coats - As per IS Code - 6278-1971	340.00	Sq.M.
23)	Electricity service connection with wiring (Follows as per WBSEDCL) including eight nos. of point where one at each Bed room, Kitchen, between bath and WC, two nos of main switch, Service bracket, twin core service wire etc. complete.	L. S.	L. S.

**Schedule of Works for Construction of Toilet with tank (Two sets)
for Double unit Labour Quarter**

Item No	PARTICULARS OF WORK	QTY .	UNIT
1)	Earth Work in excavation of foundation trenches or drains in all sorts of soil (including mixed soil but excluding latrite soil or sandstone) including removing, spreading or stacking the spoils with in a lead of 75 m as directed. The item includes necessary trimming the sides of trenches, levelling, dressing, and ramming the bottom, bailing out water as required complete . (a) Depth of excavation not exceeding 1.50 M As per IS Code - 1200 Pt. I-1992	7.00	Cu.M.
2)	Earth work in filling in foundation and trenches or plinth etc. in layers not exceeding 150 mm including watering and ramming etc. complete . (a) With earth obtained from excavation of foundation .	1.40	Cu.M.
	(b) with earth obtained by fresh excavation (including cost of excavation upto 1.80 m depth from land arranged by Deptt.) Within a lead of 100 m. For plinth filling -	5.600	Cu.M.
3)	Single B.F.S. of picked jhamma bricks including ramming and dressing bed to proper level and filling joints with powdered earth or local sand . As per IS Code - 1077-1992	7.20	Sq.M.
4)	Cement Concrete (1: 3: 6) with 40 mm down graded shingles excluding shuttering. As per IS Code - 456-2000	0.816	Cu. M.
5)	Ordinary Cement Concrete M 15 (mix 4: 2: 1) with 20 mm down graded stone chips / shingles excluding shuttering and reinforcement if any, in ground floor . (a) Crushers - As per IS Code - 456-2000	0.370	Cu. M.
6)	Reinforcement for reinforced concrete work in the all sorts of structures including distribution bars, stirrups, binders etc. including supply of rods, initial streaghtening and removal of loose rust (if necessary), cutting to requisite length, hooking and bending to correct shape, placeing in proper position and binding with 16 gauge black annealed wire at every intersection, complete as per drawing and direction . (a) For works in foundation, basement and upto roof of ground floor / upto 4.0 m . (i) Tor Steel / Mild steel . @ 0.80 % of (C.C. work for M15) 0.370 Cu.M = As per IS Code - 432-1982	0.24	Quintel

7)	Brick work with 1 st class bricks in cement mortar (6 : 1) . (a) In foundation & plinth (b) In superstructure, ground floor As per IS Code - 2212-1991	1.126 0.562	Cu. M. Cu. M.
8)	125 mm thick brick work with 1st class bricks in cement mortar (4 : 1) in ground floor . As per IS Code - 2250-1981	30.400	Sq.M.
9)	Artificial stone in floor, dado, staircase etc. with cement concrete (4:2:1) with stone chips laid in panel as directed with topping made with ordinary or white cement (if necessary) and marble dust in proportion (2:1) including smooth finishing and rounding off corners and including application of cement slurry before flooring works using cement @ 1.75 Kg / Sq.M all complete including all materials and labour . 3 mm thick topping with ordinary cement (High polishing grinding on this item is not permitted) . (a) 20 mm thick - As per IS Code - 2571-1970	2.70	Sq.M.
10)	Supplying, fitting and fixing steel doors with or without integrated grills conforming to I.S. 7452 - 1973 with non friction projecting type hinges, glazing chips, lugs, locking plate, peg stays, 1.25 mm thick M.S. sheet welded kicking plates in double tray construction brass door handle with minimum 4 lever mortice lock openable with key both from inside and outside together with a locking bolt on the inside face including hoisting in position, straightening, if required fixing lugs in cement concrete (1:2:4) with stone chips 20 mm size cutting holes and mending good damages to match with existing surface complete in all respect including glazing . (b) Openable steel Door / windows - As per IS Code - 1038-1983	3.600	Sq.M.
11)	M.S. structural works in roof trusses with Tubular sections conforming to IS: 806 - 1957 & IS :1161-1958 connected to one another with bracket, gusset, cleats as per design, direction of Engineer In Charge complete including cutting to requisite size, fabrication with necessary metal are welding conforming to IS : 816 - 1956 & IS : 9595 using electrodes of approved make and brand conforming to IS : 814 - 1957, haulage, hoisting, and erection all complete . The rate includes the cost of rolled steel section, consumables such as electrodes, gas and hire charges of all tools and plants and labour required for the work including all incidental charges such as electricity charges, labour insurance charges etc (a) For trusses spanning upto 12.0 M	0.160	Quintel

12)	Galvanized corrugated iron sheet work (excluding the supporting frame work) fitted and fixed with 10 mm dia. J or L hook bolts, limpet and bitumen washers and putty complete with 150 mm end lap & one corrugation minimum side lap complete. (i) In roof (b) With 0.60 mm thick sheet As per IS Code - 277-2003	9.360	Sq.M
13)	Plaster (to wall, floor, ceiling etc.) with sand and cement mortar including rounding off or chamfering corners as directed and racking out joints or roughening of concrete surface including throating, nosing and drip course where necessary in G. floor . (i) With (6 : 1) cement mortar (b) 20 mm thick plaster (c) 15 mm thick plaster As per IS Code - 2250-1981	24.00 30.00	Sq. M Sq. M
14)	Neat cement punning about 1.50 mm thick in wall, Dado, window sills, floor, drain etc. Cement to be used 0.152 Cu.M per 100 Sq.M	4.00	Sq. M
15)	Red oxide wash of approved shade including cleaning and smoothening surface thoroughly (without specific permission from the Engineer in charge this item of work must not be done on an old painted surface which has not received such red oxide wash before) . (b) One coat - As per IS Code - 102-1962	8.00	Sq.M.
16)	Painting with best quality synthetic enamel paint of approved make and brand including smoothening surface by sand papering etc. including using of approved putty etc. on the surface if necessary (b) On steel or metal surface (iv) Two coats (with any shade except white) As per IS Code - 13607 - 1992	8.00	Sq.M.
17)	White washing including cleaning and smoothening surface thoroughly (5 parts of stone lime and 1 part of shell lime should be used in the finishing coat) . (b) Two coats - As per IS Code - 6278-1971	50.00	Sq.M.

18)	Sanitary works for fitting Pan, Trap, pipe, gas pipe etc as complete	L. S.	L. S.
------	--	-------	-------

(Signature of the Applicant)
Office Stamp/Seal

Place :

Date :

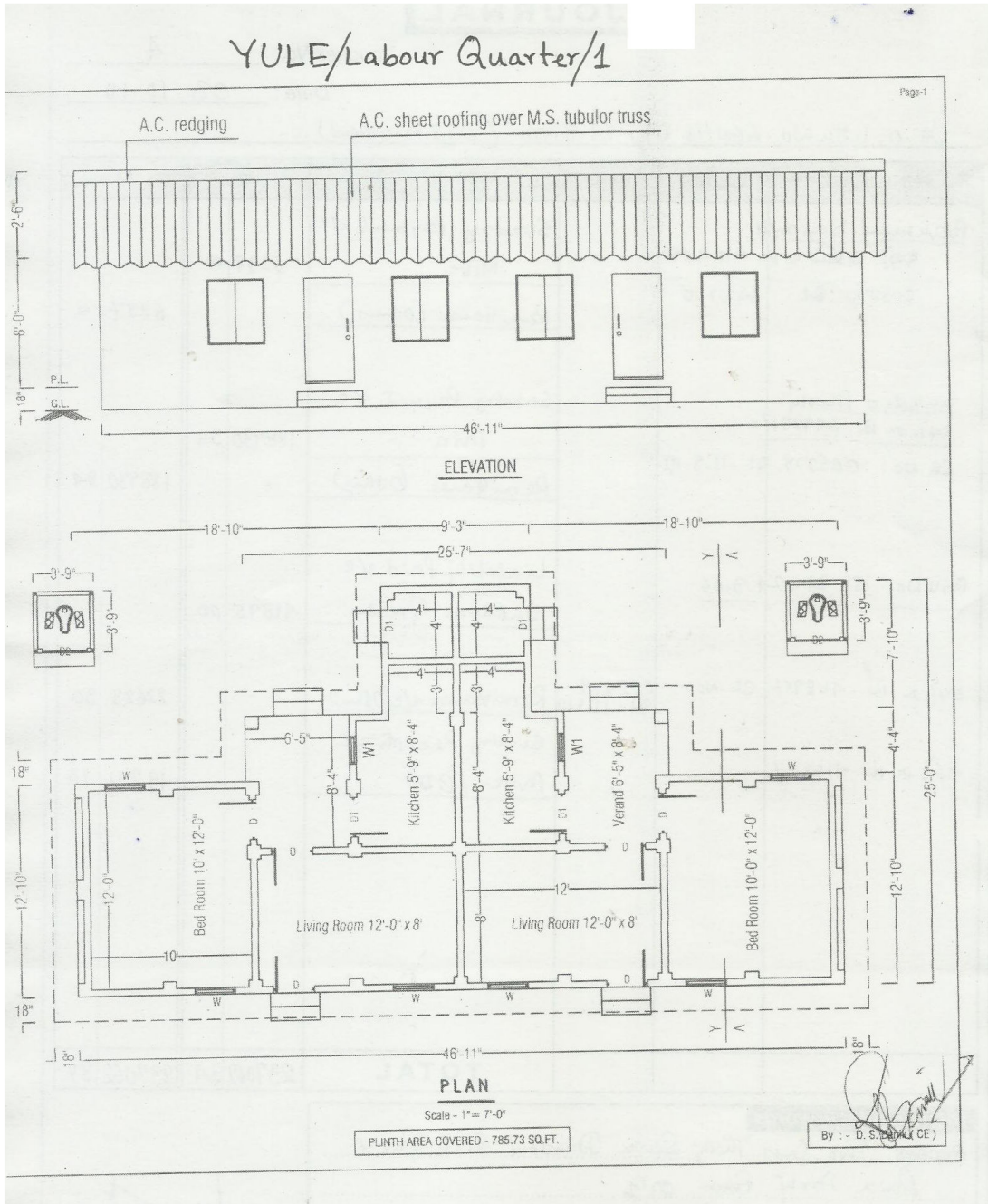
Specification of the materials to be used in the project.

1)	Cement (53 Grade) to be used as per IS Code 12269 of the following brand	a) Ambuja b) Lafarge c) ACC d) Ultratech
2)	Traditional Bricks (1 st Class) to be used as per IS Code 3495 of the following brand	a) Super b) Arun c) Apolo
3)	Sand (Coarse, Medium, Fine) to be used as per ISA Code 383 of the following river bed	a) Rangati reiver bed
4)	Stone Chips (Crushers) to be used as per IS Code 2386 Part II of the following product	a) By Crusher Machine
5)	Shingles (River beded) of proper sizes to be used as per IS Code 2386 Part II of the following River bed.	a) By Chamurchi River bed
6)	R.B.M. (River beded materials) 2:1:1 to be used of the following River bed	a) By Chamurchi River bed
7)	M. S. Rod / Torq Rod to be used as per IS Code 2751 of the following branded	a) Tata b) Elegant
8)	GCI Sheet for roof to be used as per IS Code 277 of the following branded	a) Tata 0.60 mm
9)	AC Sheet for roof & ridging to be used as per IS Code 459 of the following branded	a) Rhino b) Charminar
10)	AC plain sheet for ceiling to be used as per IS Code 2096 of the following branded	a) Rhino b) Charminar
11)	Lime for white wash to be used as per IS Code 712 of the following branded	a) Maa Kali b) Apple
12)	Red oxide primer to be used as per IS Code 102 of the following branded	a) Berger b) Shalimar
13)	Primer / Enamel paint to be used as per IS Code 2932 of the following branded	a) Berger b) Shalimar
14)	Shuttering wood to be used as per IS Code 4990	a) With 25mm thick H.W.

(Signature of the Applicant)
Office Stamp/Seal.

Place :

Date :

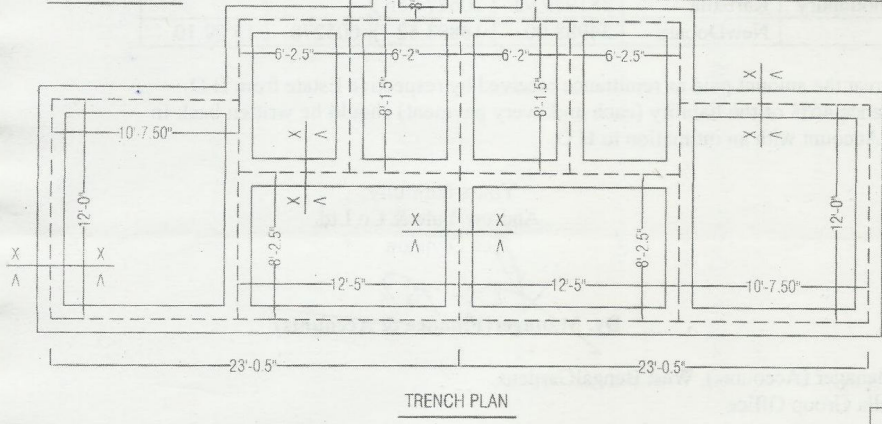
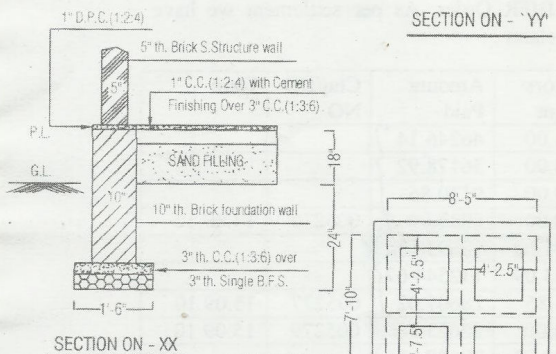
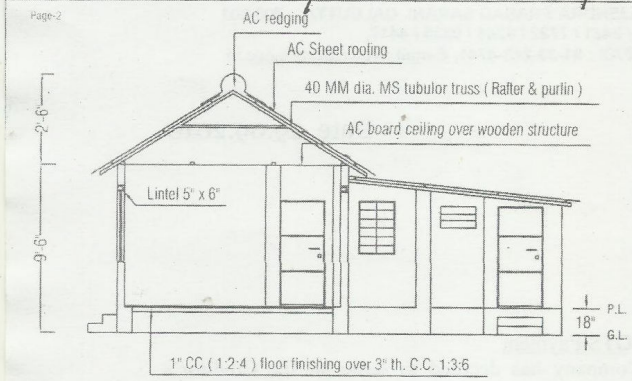


Place :

Date :

(Signature of the Applicant)
Office Stamp/Seal.

YULE/Labour Quarter/02



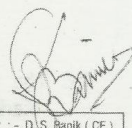
Plan for the Double unit Labour Quarter of Andrew Yule & Co. at karballa T.E. in the Dist. of Jalpaiguri

Schedule of Accomodation (For One Unit)		
Living Room	12'-0" x 8'-0"	96.00 Sq.ft
Bed Room	10'-0" x 12'-0"	120.00 Sq.ft
Kitchen	5'-9" x 8'-4"	47.90 Sq.ft
Verandah	6'-5" x 8'-4"	53.48 Sq.ft
Fuel Store	3'-0" x 4'-0"	12.00 Sq.ft
Bath	4'-0" x 4'-0"	16.00 Sq.ft
		T. Floor Area = 346.38 Sq.ft

Schedule of the Opennings (For Door / Windows)		
Door (D)	3'-0" x 6'-6"	6 Nos.
Door (D1)	2'-6" x 6'-6"	2 Nos.
Window (W)	3'-0" x 4'-0"	6 Nos.
Window (W1)	2'-6" x 4'-0"	2 Nos.

Notes :-

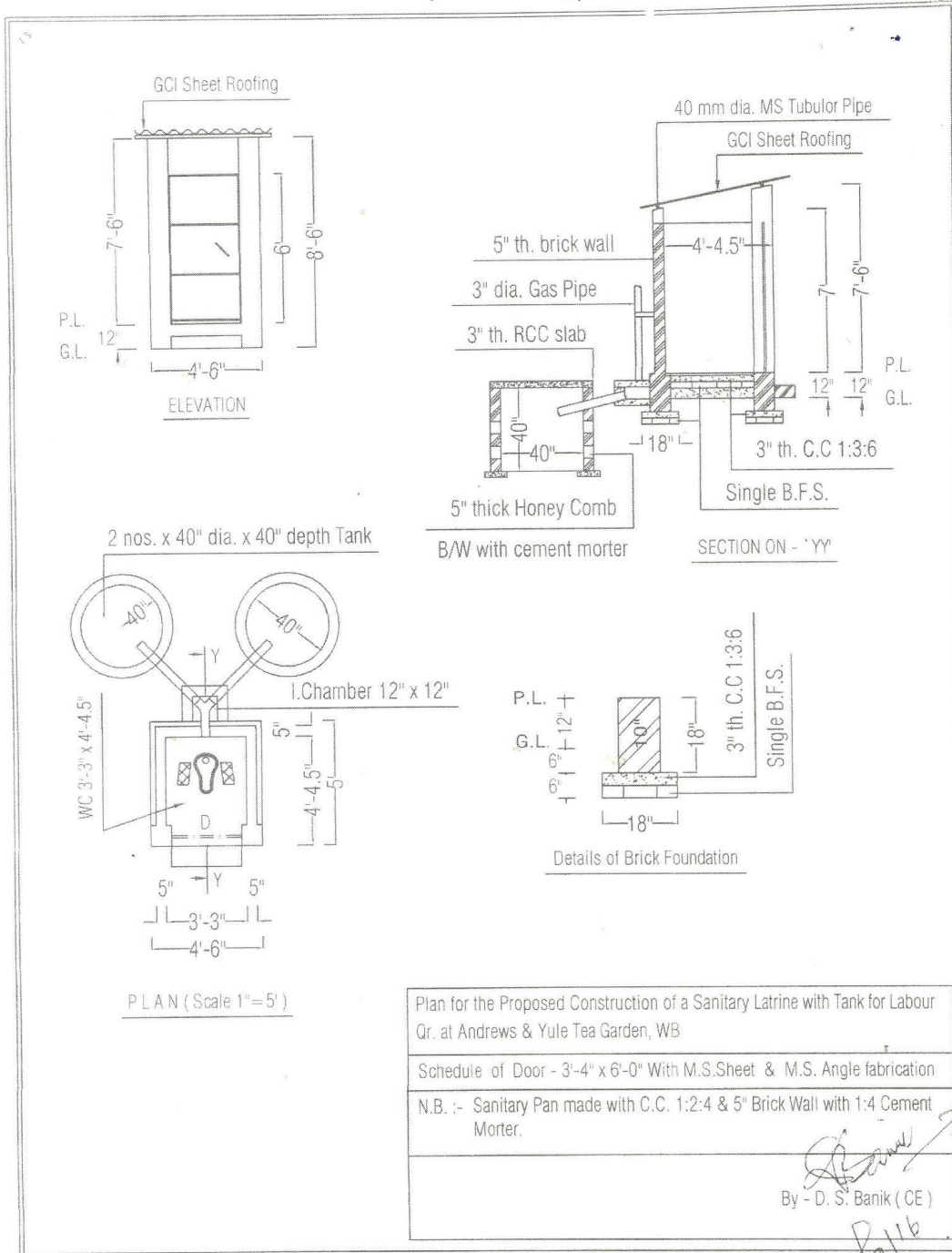
- Foundation - 3" th. C.C. 1:3:6 over Single B.F.S. of 3" th.
- Flooring - 1" th. C.C. 1:2:4 finishing over 3" th. C.C. 1:3:6
- Foundation - 10" thick brick masonry wall (1:6) upto P.L.
- Super structure - 5" th. Brick work with Cement Mortar (1:6)
- Roofing - Asbestos corrugated sheet roof (For all roof)
- Roofing Truss - M.S. Tubulor rafter & Purlin (40 mm dia.)
- Ceiling - AC plain board over Wooden structure for Rooms
- Other Masonary work - Lintel, bothside plastering, chajjas, Steps, White washing, Red Oxide primming, Painting etc.


 By :- D.S. Banik (CE)

Place : _____
 Date : _____

(Signature of the Applicant)
 Office Stamp/Seal.

YULE/Lavatory/01



Plan for the Proposed Construction of a Sanitary Latrine with Tank for Labour Gr. at Andrews & Yule Tea Garden, WB

Schedule of Door - 3'-4" x 6'-0" With M.S. Sheet & M.S. Angle fabrication

N.B. :- Sanitary Pan made with C.C. 1:2:4 & 5" Brick Wall with 1:4 Cement Mortar.

By - D. S. Banik (CE)

05/09/16

Place :

Date :

(Signature of the Applicant)
Office Stamp/Seal.

For online submission

Annexure – V

ANDREW YULE & COMPANY LIMITED
Tea Division

Price Sheet for Double Unit Labour Quarter with Lavatory & House Wiring

Ref. E-Tender No.: AYCL/TEA DIVISION/19/17-18/117

Ref. Tender No.: ND/CAPITAL/17-18/1

Garden : Banarhat/Karballa/New Dooars/Choonabhutti Tea Estates, West Bengal

Item : Double Unit Labour Quarter with Lavatory & House Wiring

Quantity Offered	Constructions of Double Unit Labour Quarter with Lavatory and House Wiring on Trunkey basis as per Drawing No.: YULE/Labour Quarter/01, YULE/Labour Quarter/02, YULE/Lavatory/01	Applicable Taxes	Unit Site Cost	No of Units	Total Contract Price
No.	Rs	Rs.	Rs	No.	Rs
6				6	